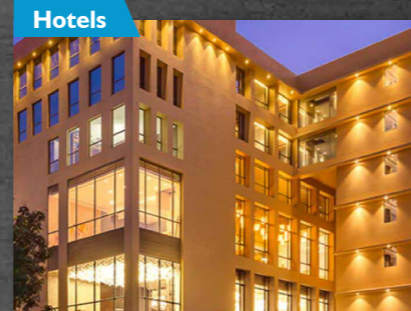


# Applications



India's widest range of Heat Pumps.



**ACSmith**  
Innovation has a name.

**Our Heat Pumps Think!**  
Discover the Intelligent Adaptive Technology.



**AES**  
INTELLIGENT  
ADAPTIVE  
TECHNOLOGY

**HPA Series**

**Air to Water Heat Pump**

Storage Capacity - 300 & 450 litres

World's No.1  
Water Heater  
manufacturer

**Registered Office**

**A. O. Smith India Water Products Private Limited**

(formerly known as A. O. Smith India Water Heating Private Limited)

Plot No. 300, Phase-2, KIADB Industrial Area, Harohalli, Kanakapura Taluk, Ramanagara District - 562 112, Karnataka, India.

Customer Care No. 1800-103-2468/1860-500-2468 ■ Website: [www.aosmithindia.com](http://www.aosmithindia.com)

CIN: U31909KA2006PTC040282

## HPA

Presenting the HPA Series - Smartly designed to give a premium hot water bathing experience with the new age heat pump technology. It is designed to be suitable for Hotels, Resorts/Villas. With the pathbreaking technology, that pulls heat from the environment, it is no surprise that our heat pumps reduce the water heating costs by more than 70%, reducing greenhouse emissions drastically.

### Smarter way to heat water

- ▶ **AES Technology** – Intelligent Adaptive Energy Saving technology analyses the water usage patterns to automatically heat up the water and optimize energy consumption
- ▶ **Wired Digital Control** – Smarter way to control heating
- ▶ **Smart Modes** – Enables you to customize as per your need. Three modes - Efficiency, Hybrid and Electric



### Sensitive to the environment

- ▶ **Heating that saves energy** – Reduced energy consumption Up to 70% by extracting heat from the atmosphere to heat up the water
- ▶ **R134a Green Refrigerant** – Controls the greenhouse gas emission, thus contributing to a greener world

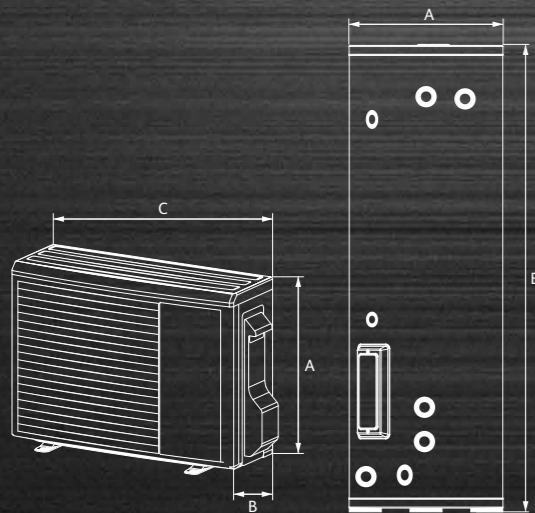


### Absolutely safe for you

- ▶ **7 Safety Protection**
  - High and Low voltage protection
  - High temperature limit protection switch (Eco switch)
  - High water temperature protection (Temperature sensor)
  - Refrigerant leakage protection
  - Compressor overheating discharge protection
  - Abnormal operation Protection (Relay and Electronic expansion valve)
  - Temperature and pressure relief valve



### External Dimensions



### Digital Remote



## HPA

### Technical Specification

MODEL	HPA-80C1.5A	HAP-120D2.0A
Rated volume [L]	300	450
Voltage / Frequency [V/Hz]	220~ / 50	220~ / 50
Rated Input / Current [W/A]		
Efficiency Mode	1010/4.6	1380/6.5
Hybrid Turbo Mode	2010/9.1	2380/11
Output(W)COP	3.6	4.2
Efficiency Mode	3640	5800
Hybrid Turbo Mode	4640	6800
Water temperature range [°C]	35~75	35-75
Ambient temperature range for Efficiency [°C]	7~43	7~43
Tank rated pressure (bar)	10	10
External unit dimension		
A [mm]	560	740
B [mm]	320	350
C [mm]	835	820
Tank dimension		
A [mm]	Ø610	Ø710
B [mm]	1640	1660
Weight of external unit (kg)	37	55
Weight of tank (kg)	98	133
Refrigerant/Quantity	R134a/940(g)	R134a/1400(g)

